

**özen**

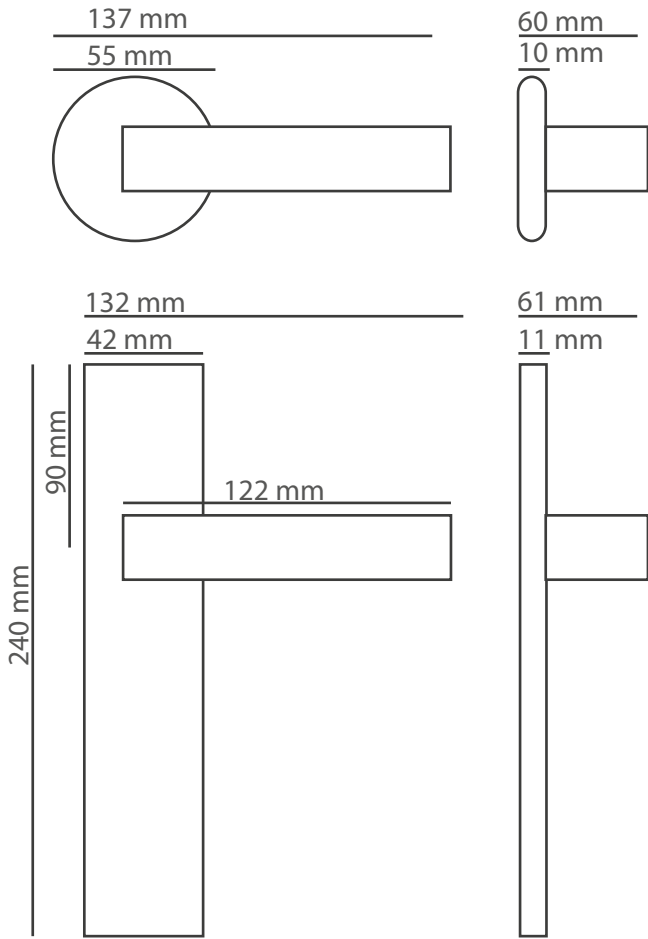
TECHNICAL CATALOGUE



Made in Turkey since 1989  
#ozendoorhandles

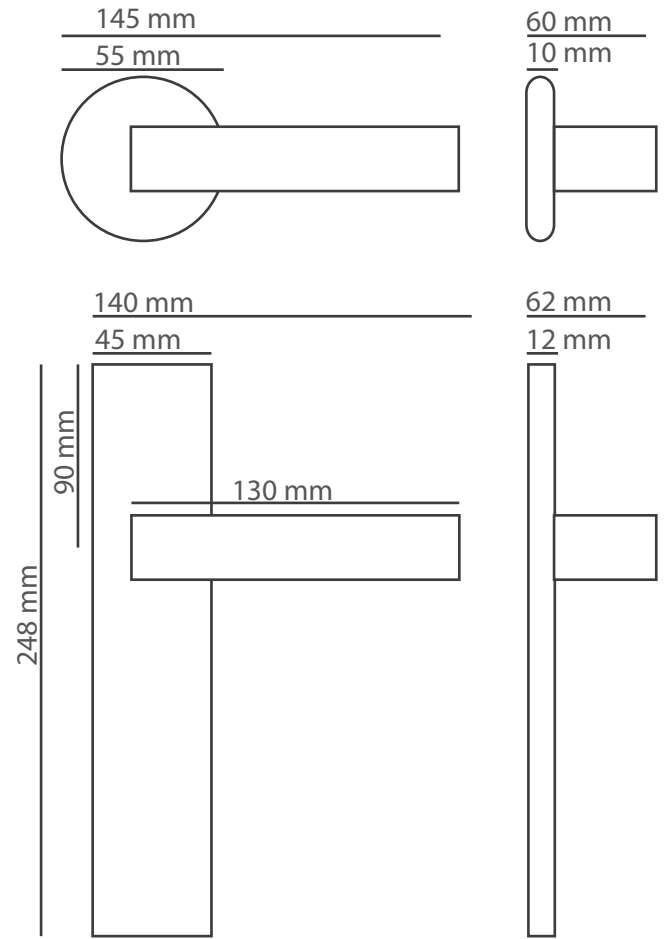
AT EVERY STEP OF PRODUCTION, FROM DESIGN TO SELECTION OF RAW MATERIALS  
FROM PRODUCTION LINE TO PACKING QUALITY CONSTANT STANDARD IN EVERY DETAIL.

SAF77 ELIF



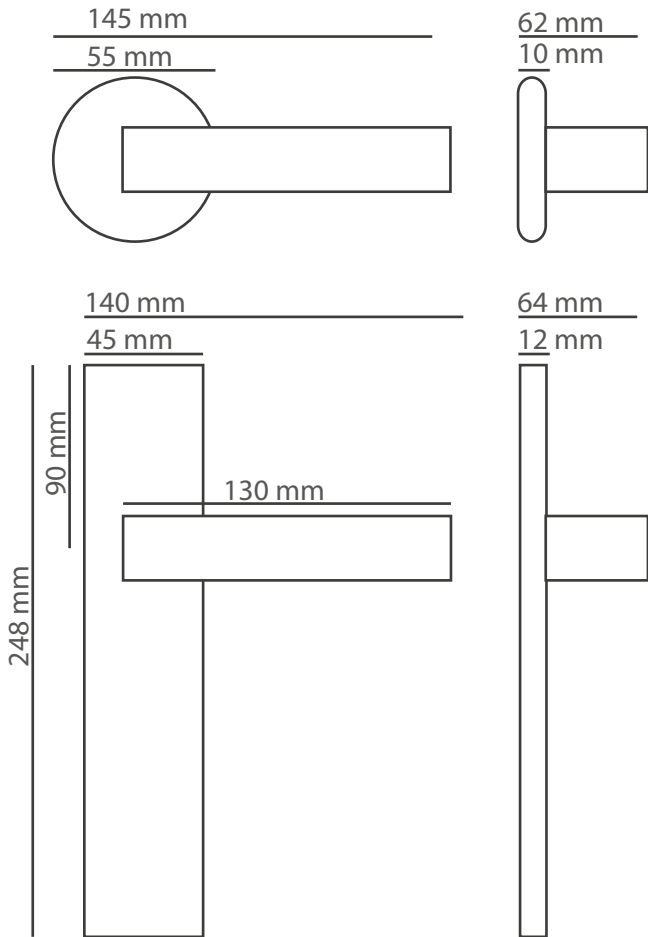
STEEL PLATE ALUMINIUM HANDLE

SAR11 BADE



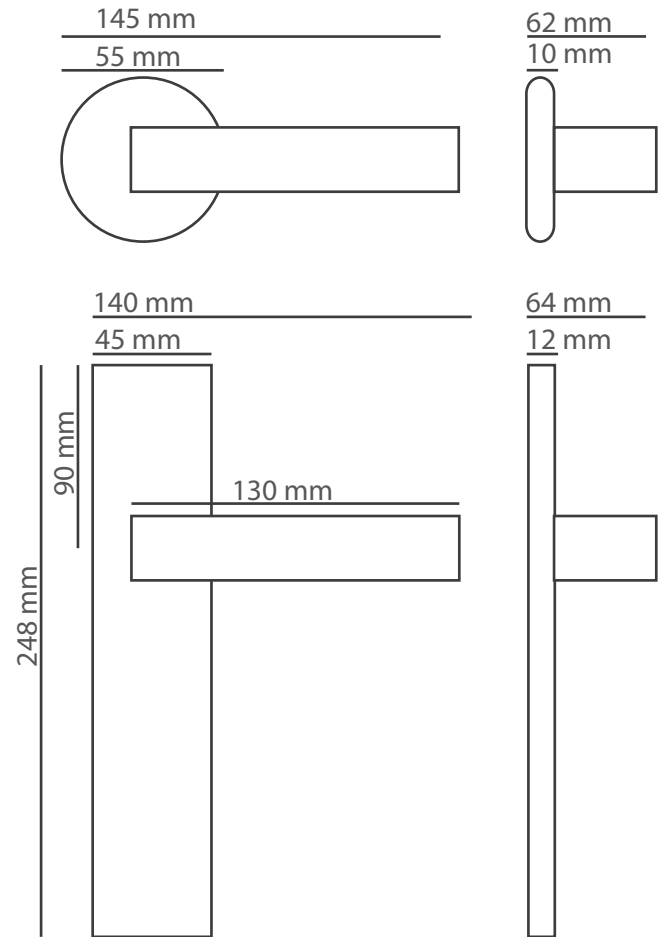
STEEL PLATE ALUMINIUM HANDLE

SAR13 BEYZA



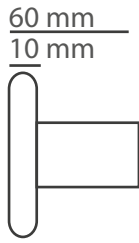
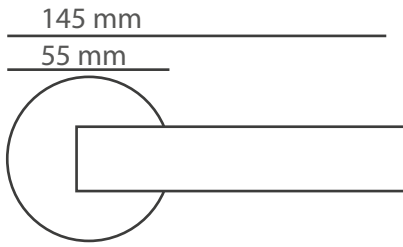
STEEL PLATE ALUMINIUM HANDLE

SAR15 DEFNE

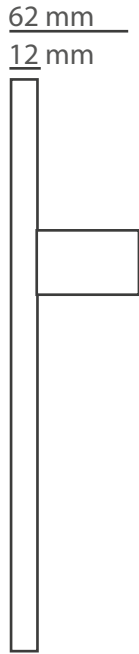
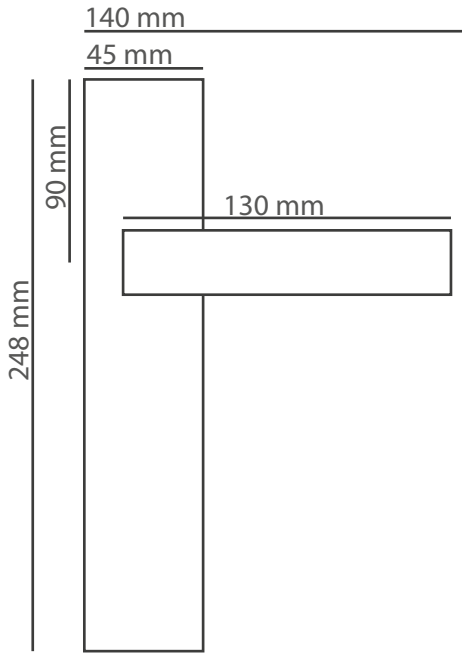
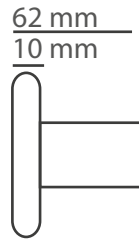
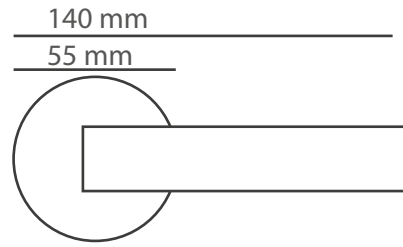


STEEL PLATE ALUMINIUM HANDLE

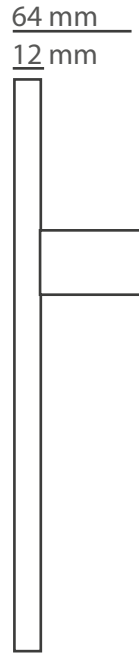
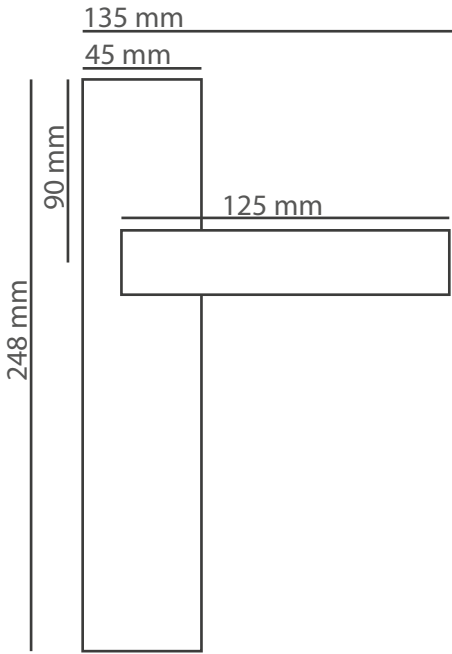
SAR01 GIZA



SAR24 PIRAMIT

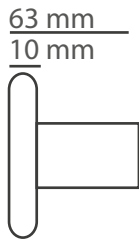
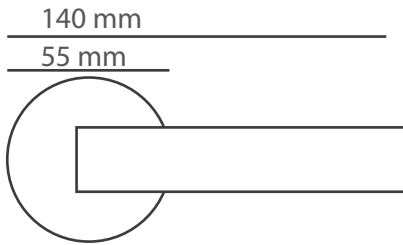


STEEL PLATE ALUMINIUM HANDLE

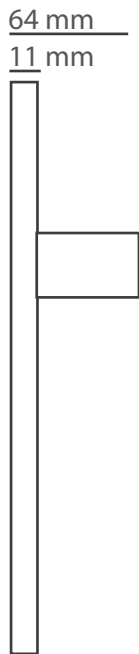
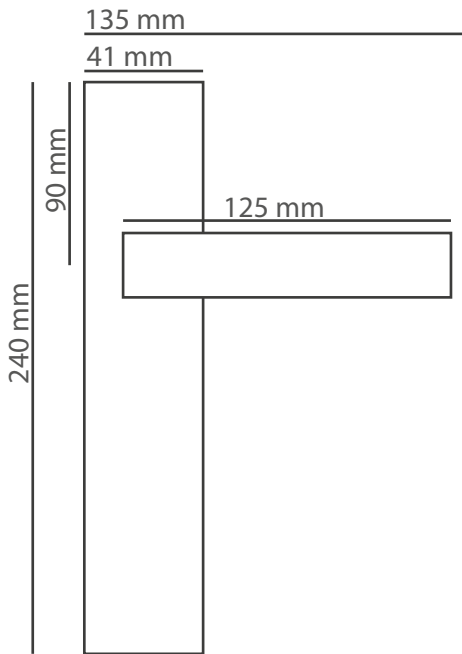
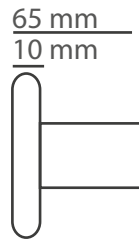
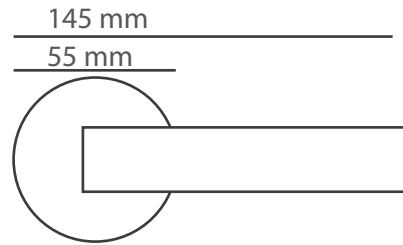


STEEL PLATE ALUMINIUM HANDLE

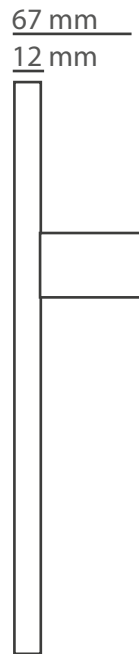
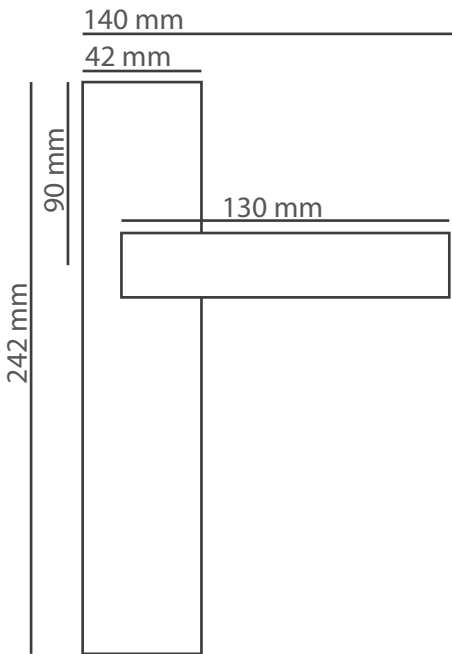
SAM23 YAY



SAN99 ASIYAN

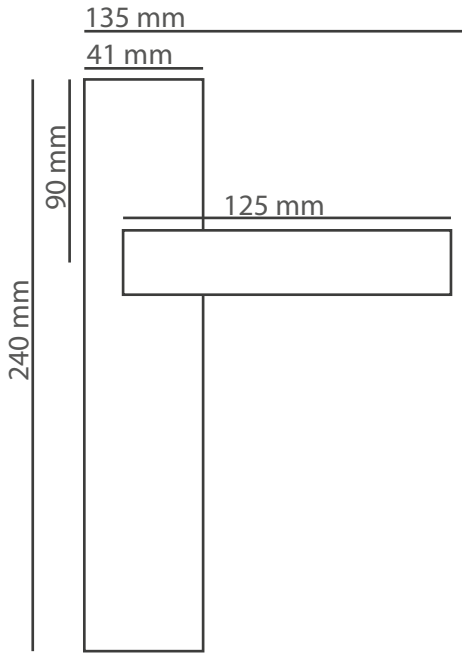
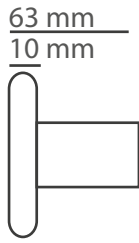
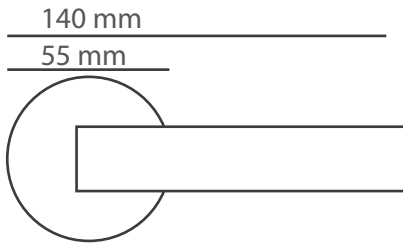


STEEL PLATE ALUMINIUM HANDLE



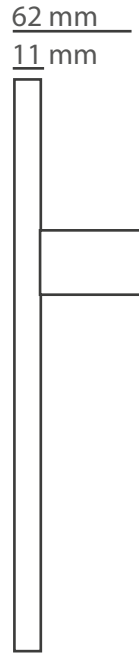
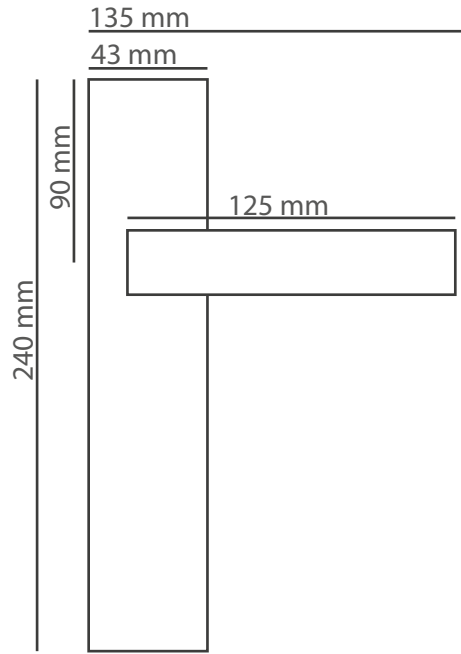
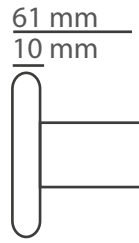
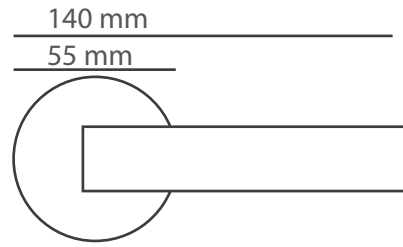
STEEL PLATE ALUMINIUM HANDLE

SAM25 ZAMBAK



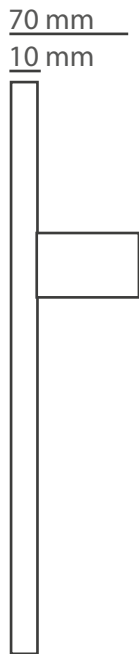
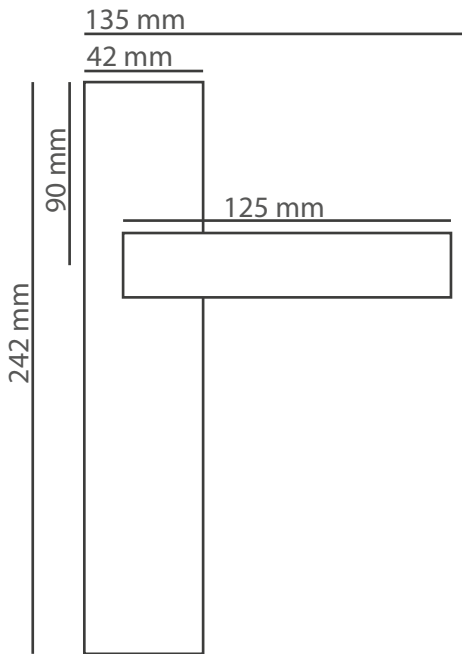
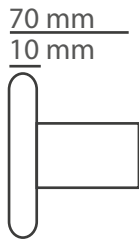
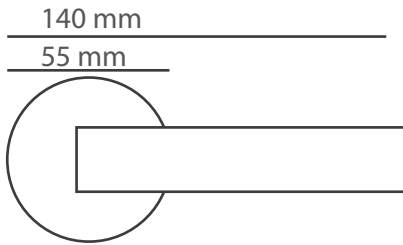
STEEL PLATE ALUMINIUM HANDLE

SANN09 KARTAL



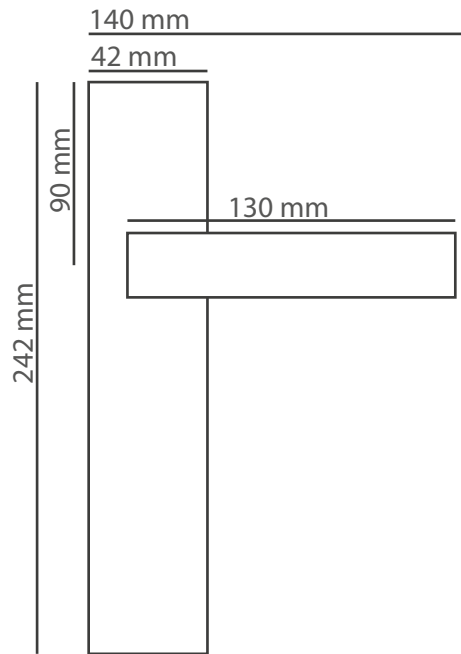
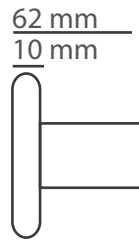
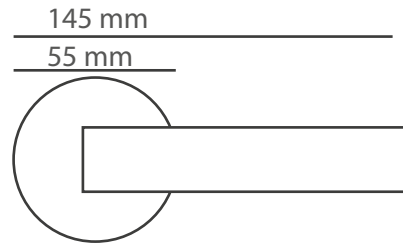
STEEL PLATE ALUMINIUM HANDLE

SANN03 AGVA



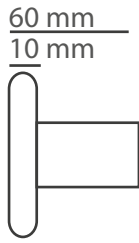
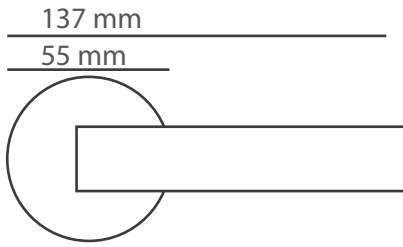
STEEL PLATE ALUMINIUM HANDLE

SANN12 SUMBUL

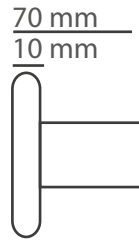
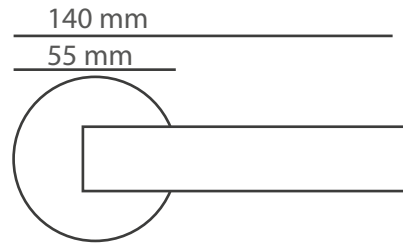


STEEL PLATE ALUMINIUM HANDLE

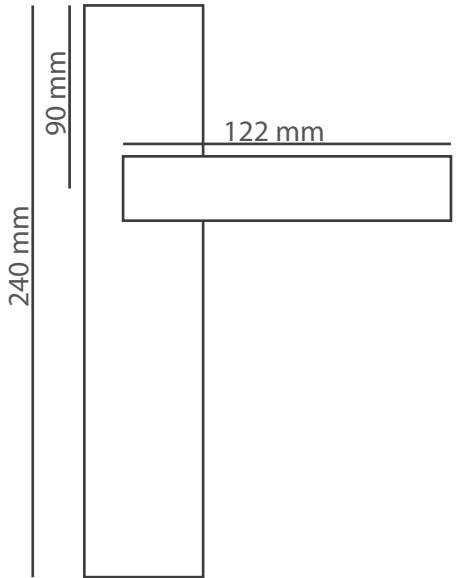
SAF42 LALE



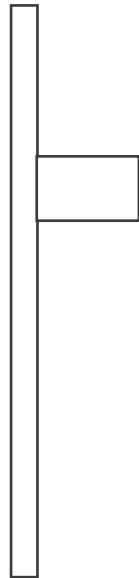
SAF94 KUGU



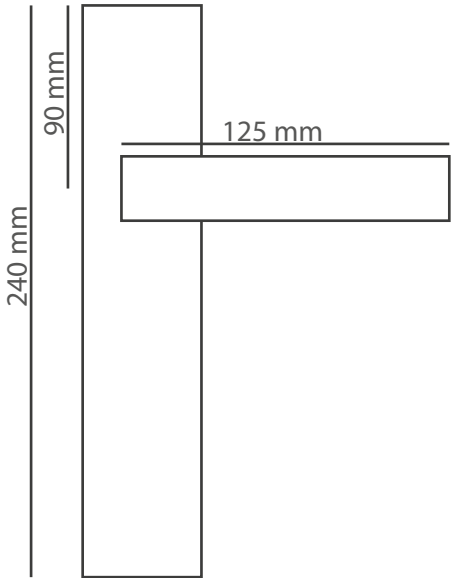
132 mm  
42 mm



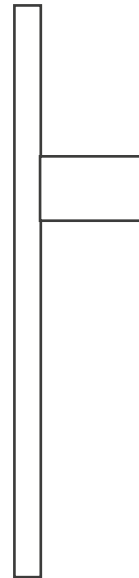
61 mm  
11 mm



135 mm  
42 mm



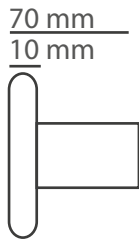
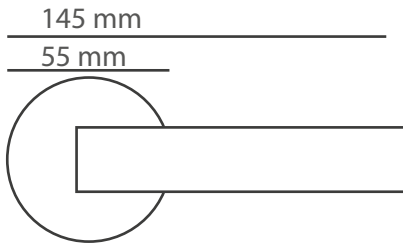
71 mm  
11 mm



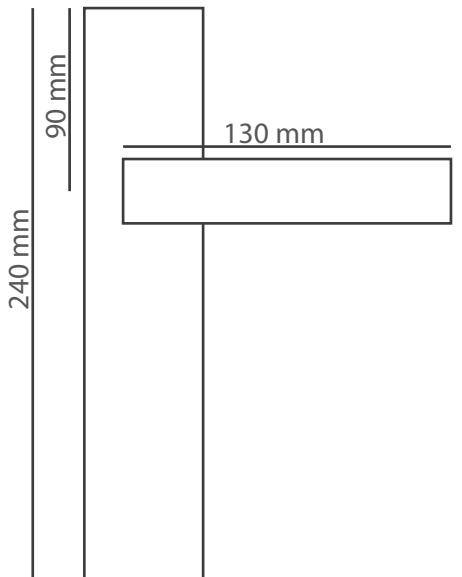
STEEL PLATE ALUMINIUM HANDLE

STEEL PLATE ALUMINIUM HANDLE

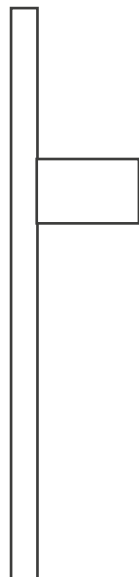
SAF78 ELIT



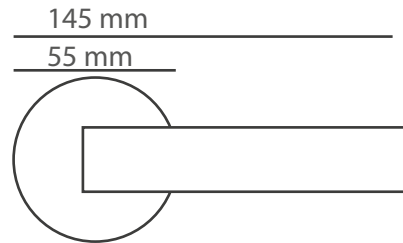
140 mm  
42 mm



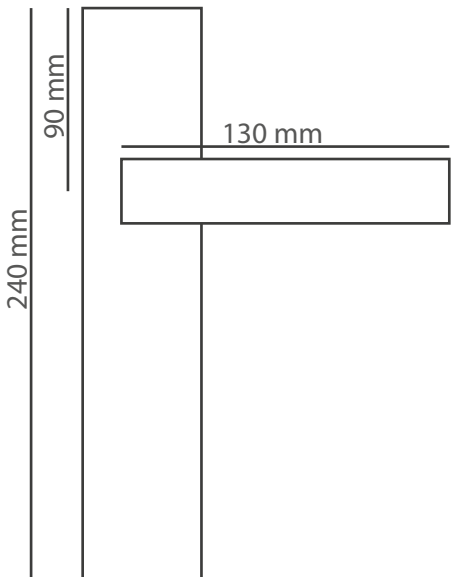
71 mm  
11 mm



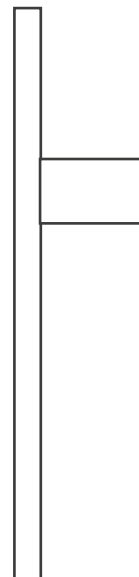
SAT91 GOKSU



140 mm  
42 mm



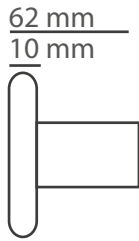
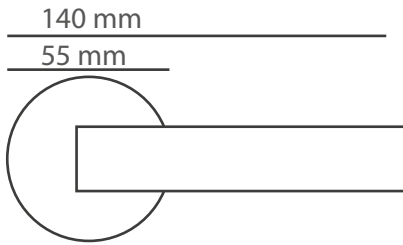
73 mm  
13 mm



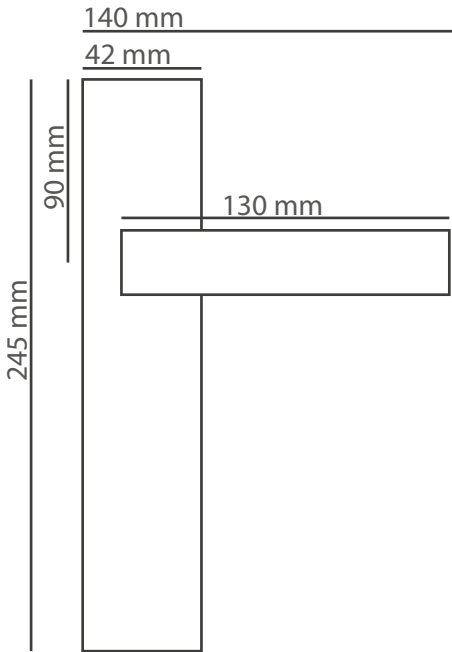
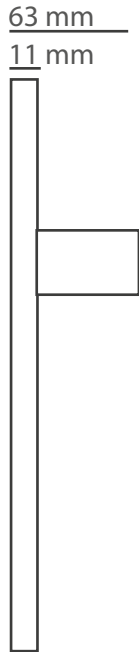
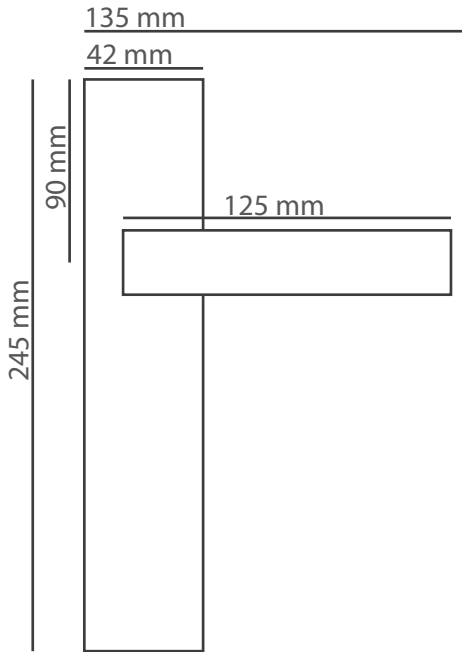
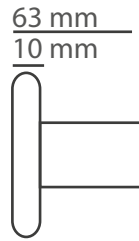
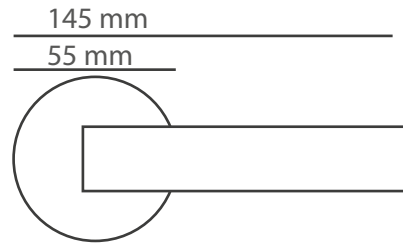
STEEL PLATE ALUMINIUM HANDLE

STEEL PLATE ALUMINIUM HANDLE

SAS24 PIRAMIT



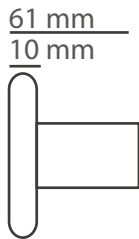
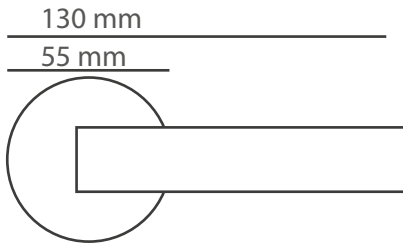
SAS15 DEFNE



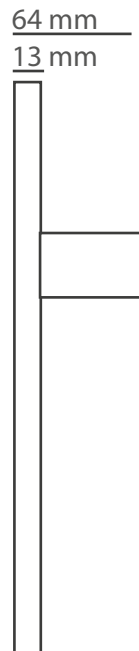
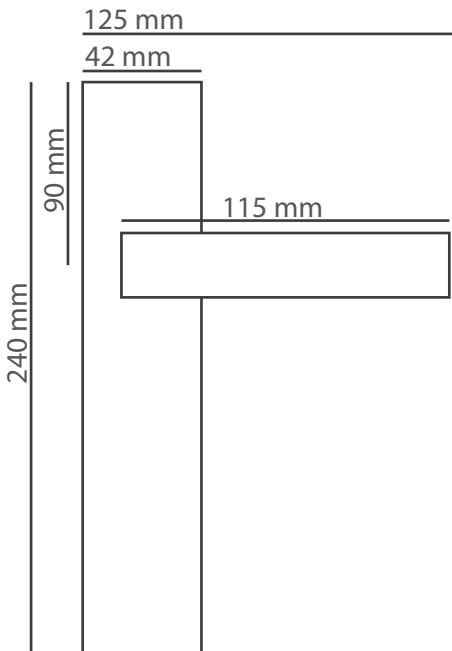
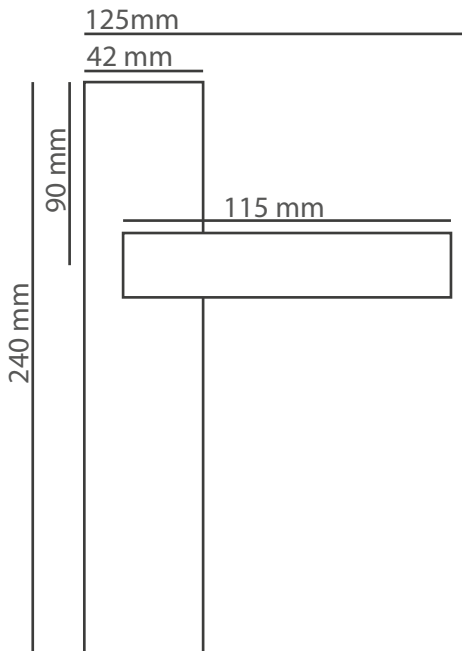
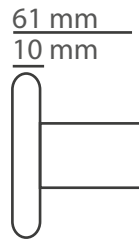
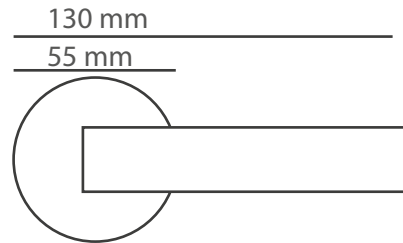
STEEL PLATE ALUMINIUM HANDLE

STEEL PLATE ALUMINIUM HANDLE

SAT14 KUMRU



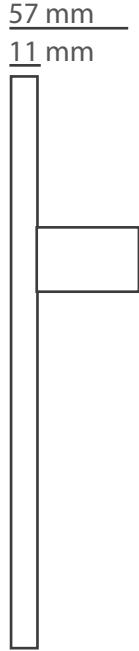
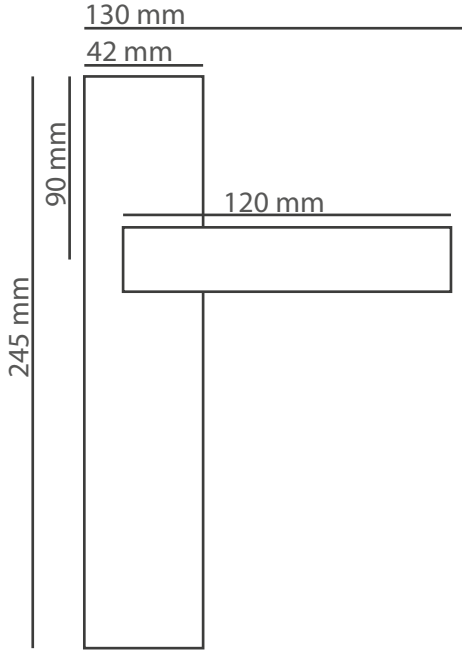
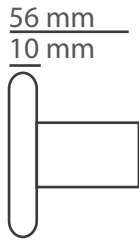
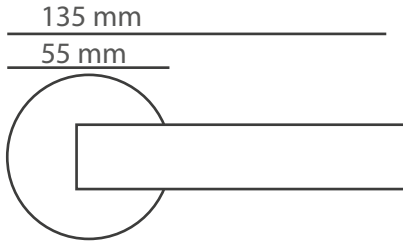
SAT10 KIRLANGIC



STEEL PLATE ALUMINIUM HANDLE

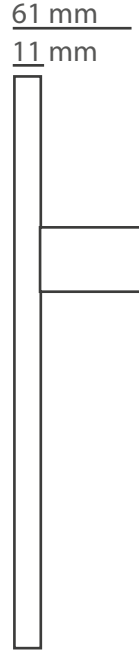
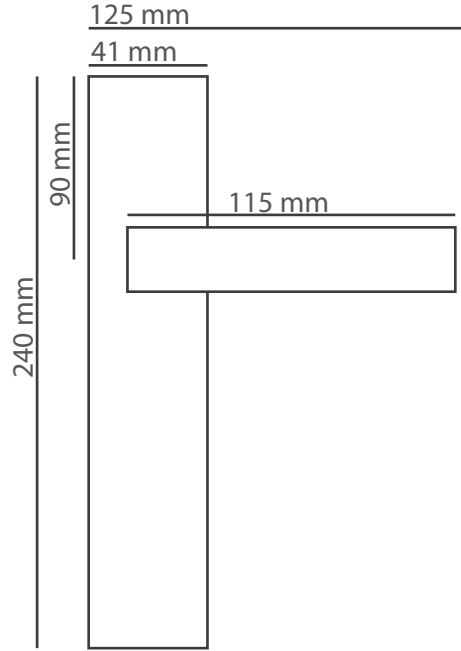
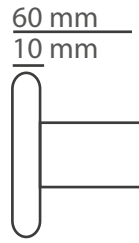
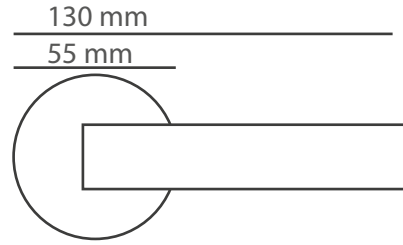
STEEL PLATE ALUMINIUM HANDLE

SAS06 CASABLANCA



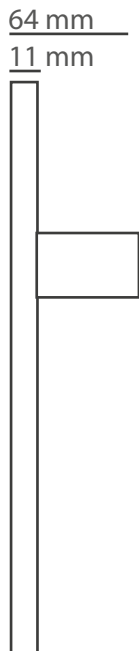
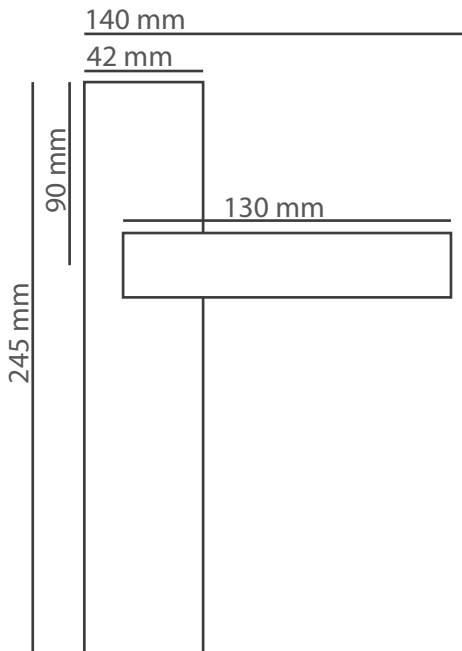
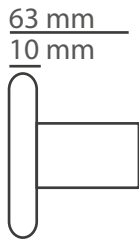
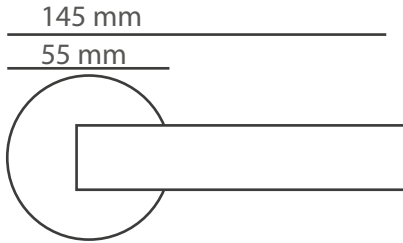
STEEL PLATE ALUMINIUM HANDLE

SAM08 GUL



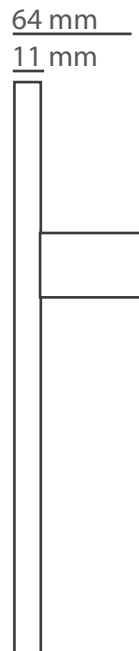
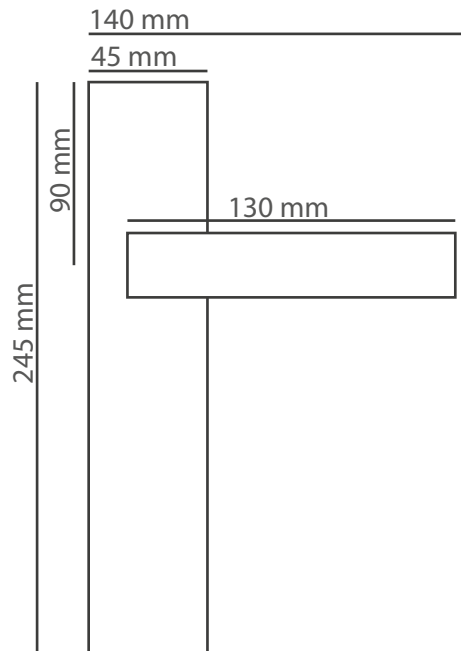
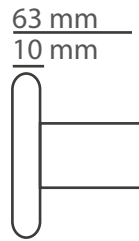
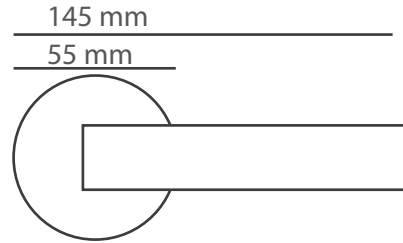
STEEL PLATE ALUMINIUM HANDLE

SAS11 TESSA



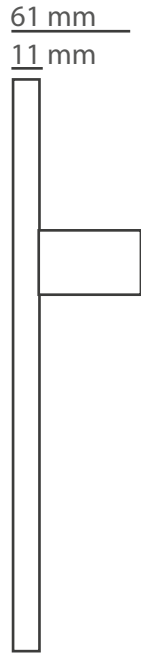
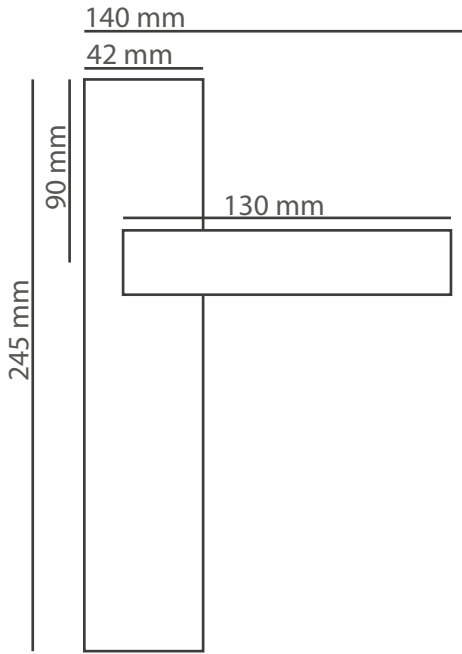
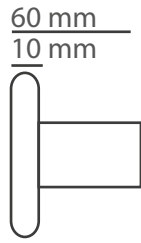
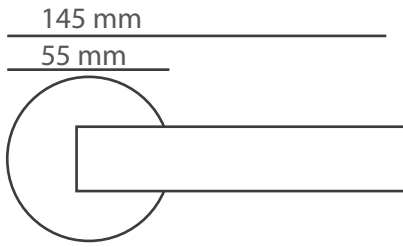
STEEL PLATE ALUMINIUM HANDLE

SAS04 SEZAR



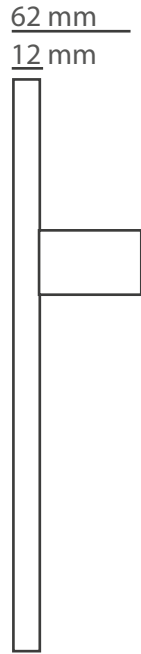
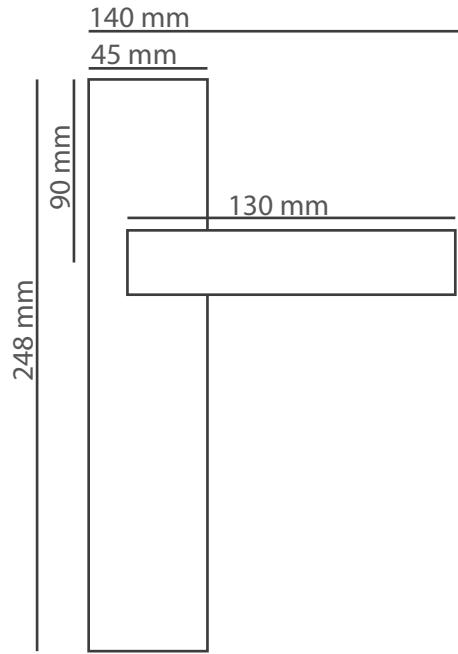
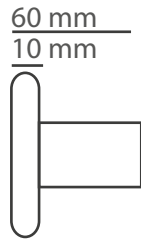
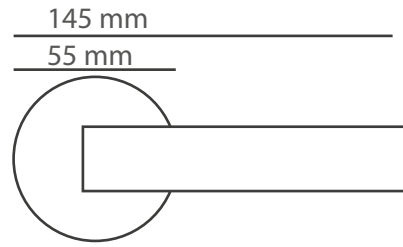
STEEL PLATE ALUMINIUM HANDLE

SAS02 VENUS



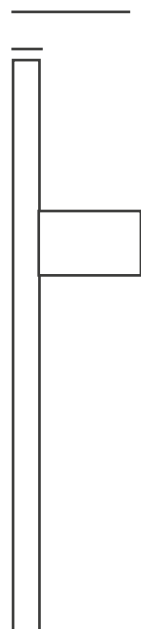
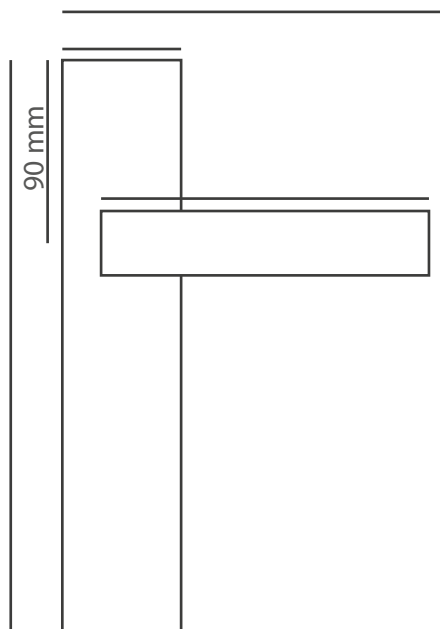
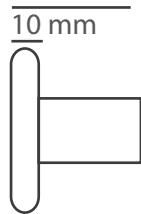
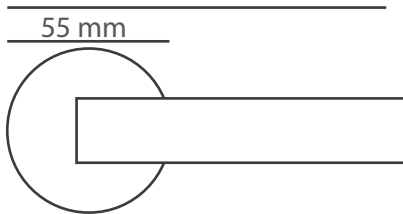
STEEL PLATE ALUMINIUM HANDLE

SAR05 KOSK



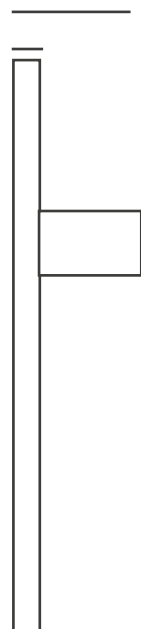
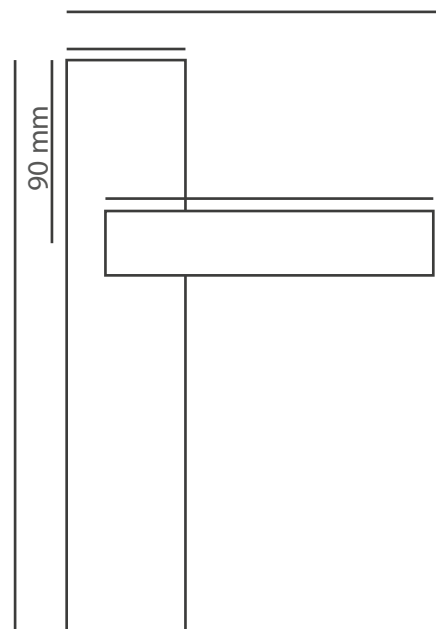
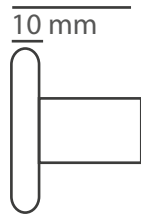
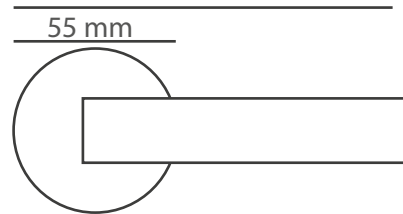
STEEL PLATE ALUMINIUM HANDLE

SA



STEEL PLATE ALUMINIUM HANDLE

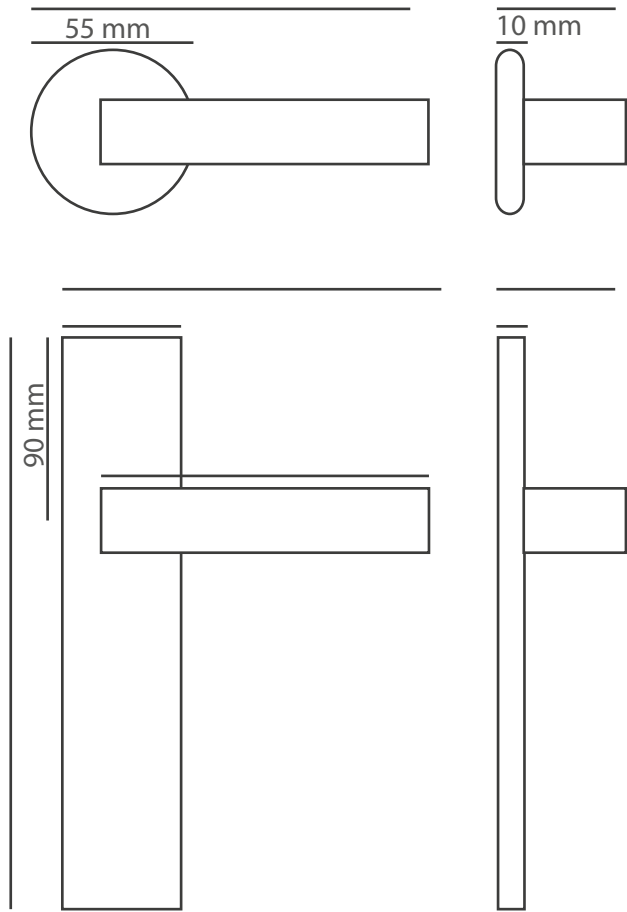
SA



STEEL PLATE ALUMINIUM HANDLE

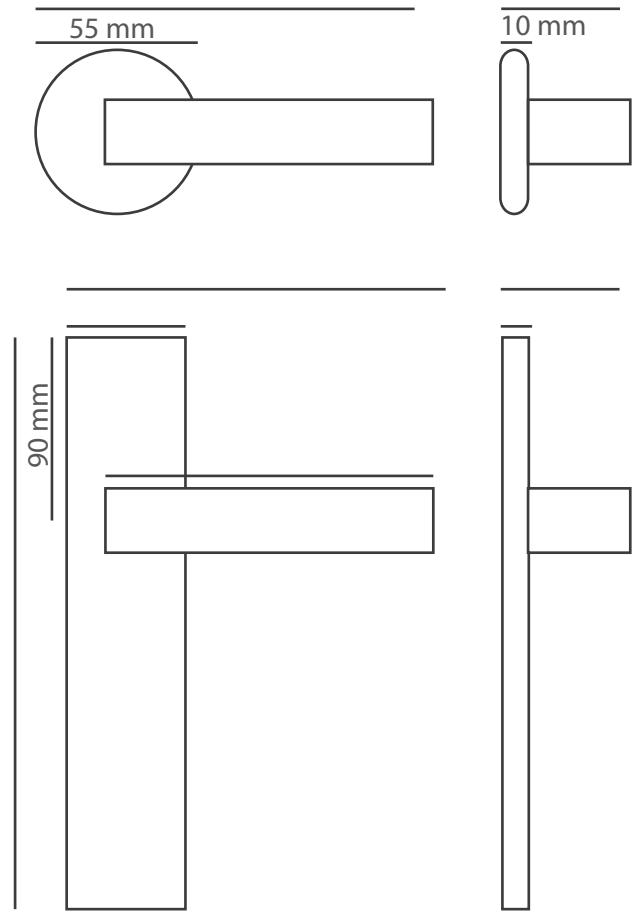


SA



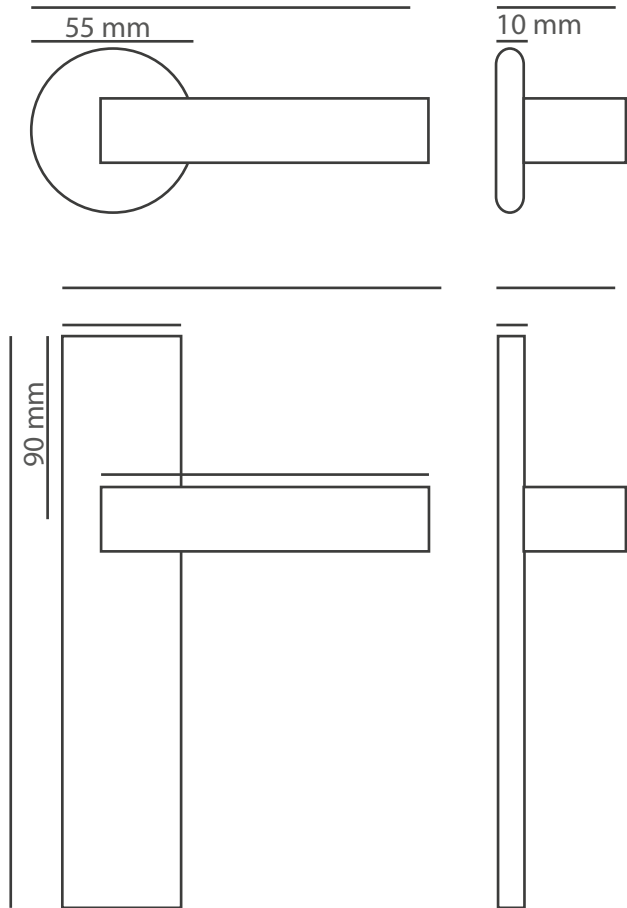
STEEL PLATE ALUMINIUM HANDLE

SA



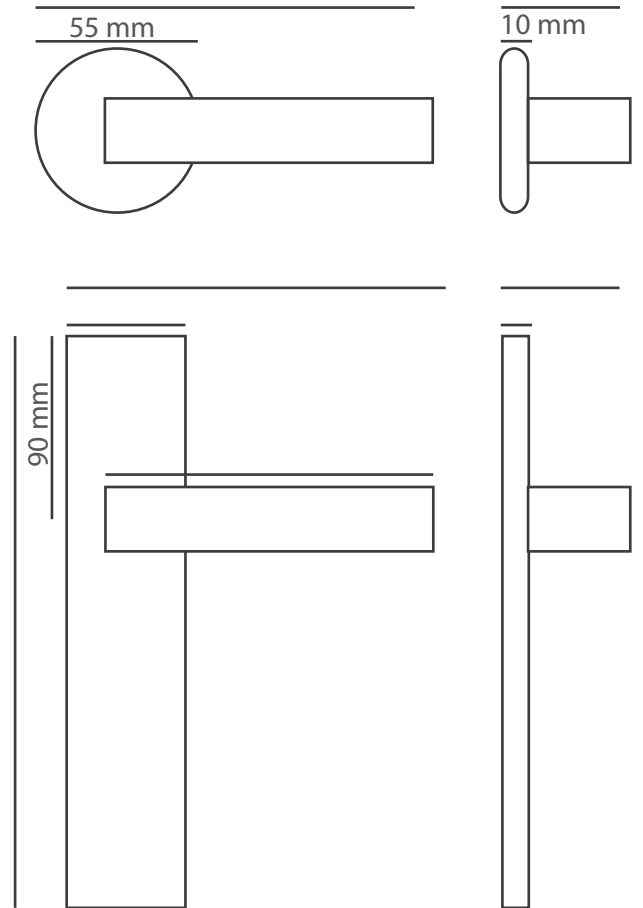
STEEL PLATE ALUMINIUM HANDLE

SA

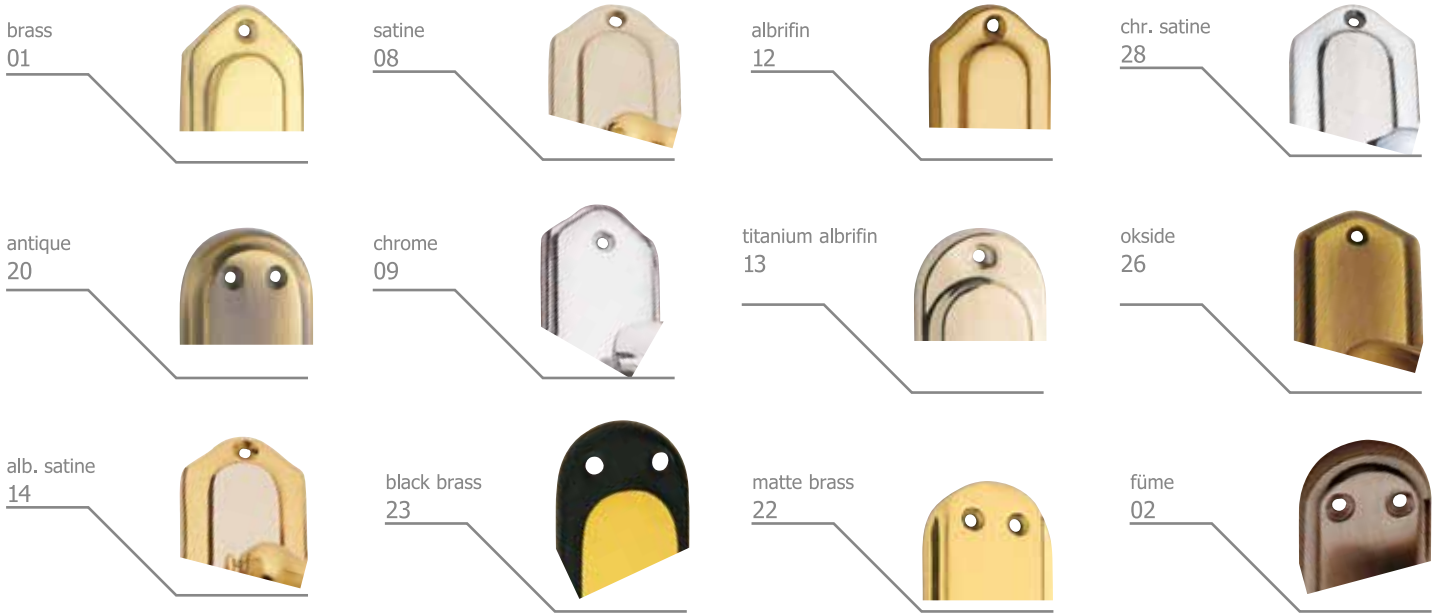


STEEL PLATE ALUMINIUM HANDLE

SA



STEEL PLATE ALUMINIUM HANDLE



COLOURS OF BRASS HINGES

COLOURS OF ALUMINIUM HINGES



Code of hinges  
404.01.10  
404 model  
01c colour  
10 size



Code of door handles  
80 12 01  
80 model  
12 colour  
02 type



501 rozet room 502 rozet cyl. 503 rozet wc



01 room 02 cyl 03 wc



Square rosette code  
Sq 501 rozet room  
Sq 502 rozet cyl.  
Sq 503 rozet wc

All models available on square rosette system.



Oval rosette code  
Sr 501 rozet room  
Sr 502 rozet cyl.  
Sr 503 rozet wc

All models available on oval rosette system.



Products	M. Karton (cm)	Set	20'ctr.
Premium handles	66x33x45	20	5700 set
Premium rosette handles	36x35x28	20	15860 set

Products	M. Karton (cm)	Set	20'ctr.
On box, on set	45x30x41	15	7,650 set
Economical handles	45x30x41	30	15,300 set
Rosette Handles	45x30x41	48	24,480 set
Hinges	34x30x26		
Bolt Sets	45x30x41	44	22,440 set
Pull Handles	45x30x41	44	22,440 pcs



**ÖZEN**

**Özen Metal San.ve Tic. Ltd. Sti.**

Yenidogan Mh. Edebali Cd. No: 25 Sancaktepe İSTANBUL TÜRKİYE

Tel: 0090 216 430 86 30 Fax: 0090 216 430 86 35

[www.ozenkapikollari.com](http://www.ozenkapikollari.com) [info@ozenkapikollari.com](mailto:info@ozenkapikollari.com)



/ozendoorhandles



/ozendoorhandles



/ozendoorhandles